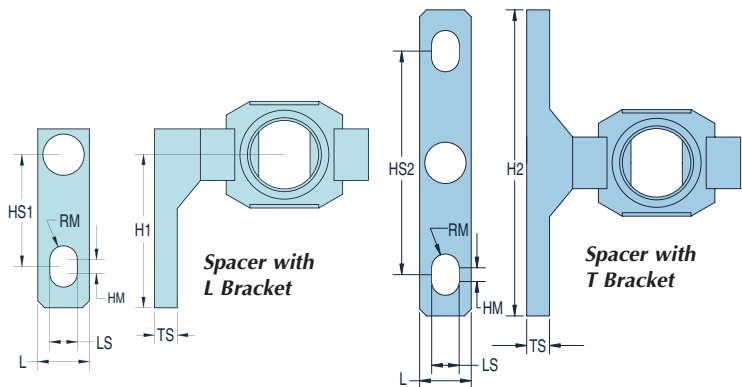




# MAXIMATIC® MOUNTING HARDWARE



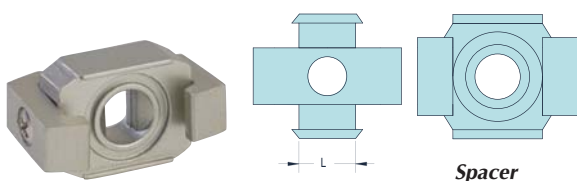
## Mounting Hardware for Combination Units

To convert individual Filter, Regulator and Lubricators into combination units. Seals included.

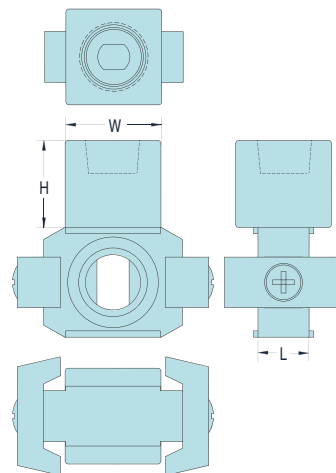
FRL Series	Spacer with L Bracket	Spacer with T Bracket	Dimension						
			MMH-Y10L	MMH-Y20L	MMH-Y30L	MMH-Y40L	MMH-Y50L	MMH-Y60L	
FRL-1	<a href="#">MMH-Y10L</a>	<a href="#">MMH-Y10T</a>	H1	1.06 (27.0)	1.30 (33.0)	1.77 (45.0)	1.97 (50.0)	1.97 (50.0)	2.48 (63.0)
FRL-2	<a href="#">MMH-Y20L</a>	<a href="#">MMH-Y20T</a>	H2	2.13 (54.0)	2.60 (66.0)	3.54 (90.0)	3.94 (100.0)	3.94 (100.0)	4.96 (126.0)
FRL-3	<a href="#">MMH-Y30L</a>	<a href="#">MMH-Y30T</a>	L	0.47 (12.0)	0.59 (15.0)	0.63 (16.0)	0.87 (22.0)	0.87 (22.0)	0.91 (23.0)
FRL-4W/4Z	<a href="#">MMH-Y40L</a>	<a href="#">MMH-Y40T</a>	LS	0.18 (4.5)	0.22 (5.5)	0.28 (7.0)	0.35 (9.0)	0.35 (9.0)	0.47 (12.0)
FRL-4A	<a href="#">MMH-Y50L</a>	<a href="#">MMH-Y50T</a>	HM	0.12 (3.0)	0.12 (3.0)	0.16 (4.0)	0.16 (4.0)	0.16 (4.0)	0.16 (4.0)
FRL-5	<a href="#">MMH-Y60L</a>	<a href="#">MMH-Y60T</a>	TS	0.20 (5.0)	0.20 (5.0)	0.28 (7.0)	0.28 (7.0)	0.28 (7.0)	0.41 (10.5)
			RM	0.09 (2.3)	0.11 (2.8)	0.14 (3.5)	0.18 (4.5)	0.18 (4.5)	0.24 (6.0)
			HS1	0.79 (20.0)	0.94 (24.0)	1.38 (35.0)	1.57 (40.0)	1.57 (40.0)	1.97 (50.0)
			HS2	1.57 (40.0)	1.89 (48.0)	2.76 (70.0)	3.15 (80.0)	3.15 (80.0)	3.94 (100.0)

## Spacers

To convert individual Filter, Regulator and Lubricators into combination units without mounting brackets. Seals included.



Series	Part No.	"L" Dimension
FRL-1	<a href="#">MMH-Y10</a>	0.32 (8.1)
FRL-2	<a href="#">MMH-Y20</a>	0.41 (10.4)
FRL-3	<a href="#">MMH-Y30</a>	0.44 (11.2)
FRL-4W/4Z	<a href="#">MMH-Y40</a>	0.55 (14.0)
FRL-4A	<a href="#">MMH-Y50</a>	0.57 (14.5)
FRL-5	<a href="#">MMH-Y60</a>	0.61 (15.5)



**MAXIMUM**  
• Value.  
• Performance.

## Spacers with Auxiliary Port

Provides parallel port between components.



**MMH-Y21-N01**

FRL Series	Spacer with Port	Spacer with L Bracket & Port	Spacer with T Bracket & Port	Dimension		
				L	H	W
FRL-2	<a href="#">MMH-Y21-N01 (1/8")</a>	<a href="#">MMH-Y21L-N01 (1/8")</a>	<a href="#">MMH-Y21T-N01 (1/8")</a>	0.41 (10.4)	0.69 (17.5)	0.76 (19.3)
	<a href="#">MMH-Y21-N02 (1/4")</a>	<a href="#">MMH-Y21L-N02 (1/4")</a>	<a href="#">MMH-Y21T-N02 (1/4")</a>	0.41 (10.4)	0.69 (17.5)	0.76 (19.3)
FRL-3	<a href="#">MMH-Y31-N01 (1/8")</a>	<a href="#">MMH-Y31L-N01 (1/8")</a>	<a href="#">MMH-Y31T-N01 (1/8")</a>	0.44 (11.2)	0.64 (16.3)	0.75 (19.1)
	<a href="#">MMH-Y31-N02 (1/4")</a>	<a href="#">MMH-Y31L-N02 (1/4")</a>	<a href="#">MMH-Y31T-N02 (1/4")</a>	0.44 (11.2)	0.64 (16.3)	0.75 (19.1)
FRL-4W/4Z	<a href="#">MMH-Y41-N02 (1/4")</a>	<a href="#">MMH-Y41L-N02 (1/4")</a>	<a href="#">MMH-Y41T-N02 (1/4")</a>	0.55 (14.0)	0.71 (18.0)	0.94 (23.9)
	<a href="#">MMH-Y41-N03 (3/8")</a>	<a href="#">MMH-Y41L-N03 (3/8")</a>	<a href="#">MMH-Y41T-N03 (3/8")</a>	0.55 (14.0)	0.71 (18.0)	0.94 (23.9)
FRL-5	<a href="#">MMH-Y61-N03 (3/8")</a>	<a href="#">MMH-Y61L-N03 (3/8")</a>	<a href="#">MMH-Y61T-N03 (3/8")</a>	0.61 (15.5)	0.79 (20.1)	1.18 (30.0)
	<a href="#">MMH-Y61-N04 (1/2")</a>	<a href="#">MMH-Y61L-N04 (1/2")</a>	<a href="#">MMH-Y61T-N04 (1/2")</a>	0.61 (15.5)	0.79 (20.1)	1.18 (30.0)